



CHAIN LINK FENCING

A well proven popular, versatile and easy to erect fencing suitable for a wide variety of applications. From a simple boundary marker to a permanent secure fence, there will be a specification of Chain Link suited to the purpose. Most Chain Link is available compact wound and palletised. Standard PVC colours are green or black.

Easy to erect on most types of post. No exact post centres required, ideal for re-clads or existing posts. Available in either barbed or knuckled edges or combination of both.

In 25 metre rolls and 12.5 metre rolls (a) depending on specification. Line Wires are not supplied with the rolls and should be ordered separately.

Fence Height m	Mesh x Wire mm	Line Wires	Product Code
GALVANISED			
0.9	50 x 2.50	2	450209250
1.2	50 x 2.50	3	450212250
1.4	50 x 2.50	3	450214250
1.8	50 x 2.50	3	450218250
2.4	50 x 2.50	4	450224250
0.9	50 x 3.00	2	450209300
1.2	50 x 3.00	3	450212300
1.4	50 x 3.00	3	450214300
1.5	50 x 3.00	3	450215300
1.8	50 x 3.00	3	450218300
2.15	50 x 3.00	3	4502215300
2.4	50 x 3.00	4	450224300
2.75	50 x 3.00	5	4502275300
3.60	50 x 3.00	5	4502360300
1.8	50 x 3.55	3	450218355
2.4	50 x 3.55	4	450224355
2.75	50 x 3.55	5	4502275355
GREEN PVC COATED/BRIGHT CORE			
0.9	50 x 2.50/1.70	2	451509250
1.2	50 x 2.50/1.70	3	451512250
1.4	50 x 2.50/1.70	3	451514250
1.8	50 x 2.50/1.70	3	451518250
0.9	50 x 3.15/2.24	2	451509315
1.2	50 x 3.15/2.24	3	451512315
1.4	50 x 3.15/2.24	3	451514315
1.5	50 x 3.15/2.24	3	451515315
1.8	50 x 3.15/2.24	3	451518315
2.4	50 x 3.15/2.24	4	451524315
2.75	50 x 3.15/2.24	5	4515275315
3.05	50 x 3.15/2.24	5	4515305315
0.9	50 x 3.55/2.50	2	451509355
1.2	50 x 3.55/2.50	3	451512355
1.8	50 x 3.55/2.50	3	451518355
2.15	50 x 3.55/2.50	4	4515215355
1.8	50 x 4.00/3.00	3	451518400

Fence Height m	Mesh x Wire mm	Line Wires	Product Code
GREEN PVE COATED/GALVANISED CORE			
0.9	50X3.15/2.24	2	452509315
1.2	50X3.15/2.24	3	452512315
1.8	50X3.15/2.24	3	452518315
2.4	50X3.15/2.24	4	452524315
2.75	50X3.15/2.24	5	4525175315
3.6	50X3.15/2.24	5	452536315
0.9	50X3.55/2.50	2	452509355
1.2	50X3.55/2.50	3	452512355
1.8	50X3.55/2.50	3	452518355
2.75	50X3.55/2.50	5	4525275355
3.05	50X3.55/2.50	5	4525305355
3.6	50X3.55/2.50	5	452536355
1.8	50X4.00/3.00	3	452518400
2.4	50X4.00/3.00	4	452524400
2.75	50X4.00/3.00	5	4525275400
1.8	50X4.75/3.55	3	452518475
2.15	50X4.75/3.55	3	4525215475
2.4	50X4.75/3.55	4	452524475
2.75	50X4.75/3.55	5	4525275475

SUPPORT LINE WIRES

Supplied in 25kg Coils for Weldmesh and Chain Link Rolls

Finish	Size metres	Length Approx mm	Product Code
Galvanised	3.00	450	042825300
	3.55	320	042825355
7 ply Strand Wire	4.00	331	043001400
	5.00	227	043001500
High Tensile Super 70	3.55	320	042825355 HT
Galvanised Core PVC Coated Green or Black	2.00/1.40	1700	042825200140
	3.55/2.50	550	042525355250
	4.00/3.00	400	042825400300
	4.75/3.55	280	042825475355

ADD G FOR
GREEN, B FOR
BLACK

CHAIN LINK LINE WIRES

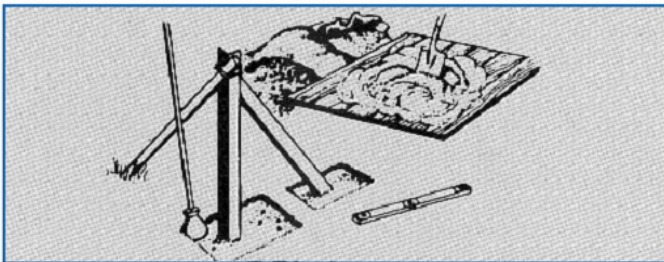
Line Wire Diameter mm	Line Wire Length m	Product Code	Line Wire Diameter mm	Line Wire Length m	Product Code
GALVANISED			PVC COATED/GALV		
3.00	50	04L30050	3.55/2.50	50	04L35525050
3.00	75	04L30075	3.55/2.50	75	04L35525075
3.00	100	04L300100	3.55/2.50	100	04L355250100
3.55	50	04L35550	4.00/3.00	50	04L40030050
3.55	75	04L35575	4.00/3.00	75	04L40030075



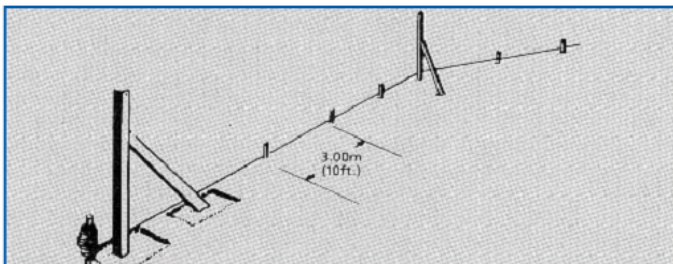
ERECTION OF CHAIN LINK FENCING

1. First clear away all obstructions and ensure a reasonable level before pegging out the line of the fence with string.
2. Mark the position of the end straining posts and dig the holes for their foundations. In normal soil allow for the following foundations:
 - (a) Posts up to 1.40m (approx 4ft 7in) the holes should be 450mm (1ft 6in) square and 600mm (2ft) deep
 - (b) Posts above 1.40m (approx 4ft 7in) the holes should be 450mm (1ft 6in) square and 750mm (2ft 6in) deep
 - (c) Holes for straining post stays should be 450mm x 300mm (1ft 6in x 1ft) and 450mm (1ft 6in) deep

3. Plant the end straining post making sure that the earth is well rammed around the post or preferably embedded in large rubble or old bricks, but firm ramming is essential. For the best results the posts should be embedded in concrete.

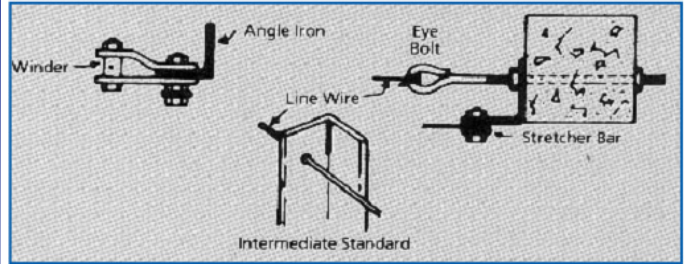
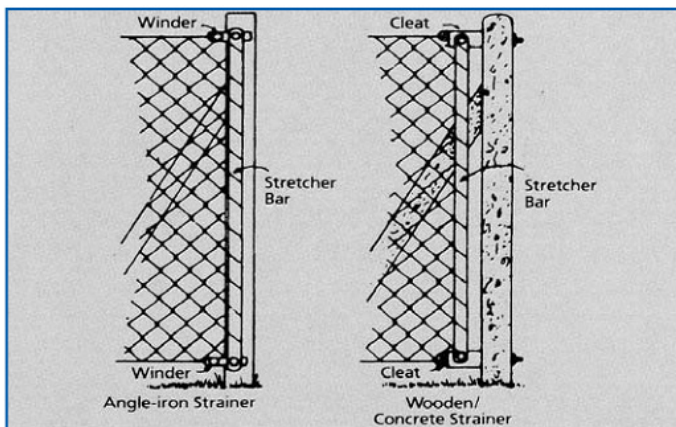


4. Fix a line taut between the straining posts and set the intermediate standards along this line at 3.0m (10ft) intervals. If the line of the fence curves, it is advantageous to fix backstays to every standard. Usually it is sufficient to ram the backstay straight into the ground, but when using concrete, Pylon or plastic-coated steel posts, the posts should be fixed in concrete.



5. When the posts are firmly set unroll the coil of wire and strain between the posts. The number of line wires depends on the height of the fence and is as follows:

- Under 1.2m (4ft) - 2 lines
- 1.2m (4ft) to 2.25m (7ft 5in) - 3 lines

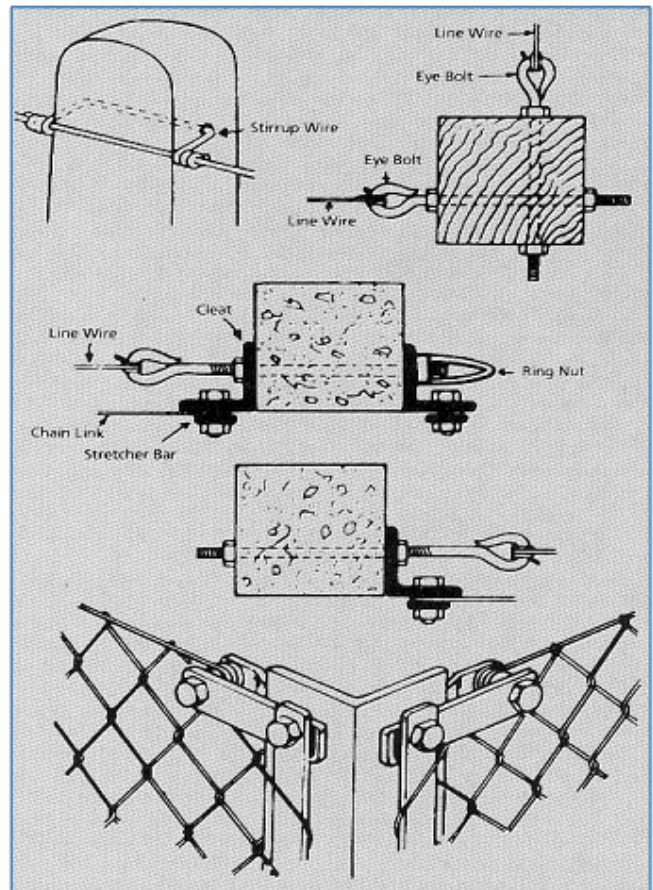


6. Erection depends on the type of post being used -

Wooden - see that the line wires are evenly spaced between top and bottom edge of the fencing and strained by using an eyebolt. See illustration showing how eyebolts, hook bolts and stretcher bars fit to a wooden terminal post. As illustrated under item 10

Angle-iron - strain the line wires using winding brackets bolted to straining post. See illustration below

Concrete - strain the line wires by using an eyebolt. This bolt also fastens an angle cleat to which the stretcher bar is secured. The line wires are strained by screwing up the nut on the eyebolt.

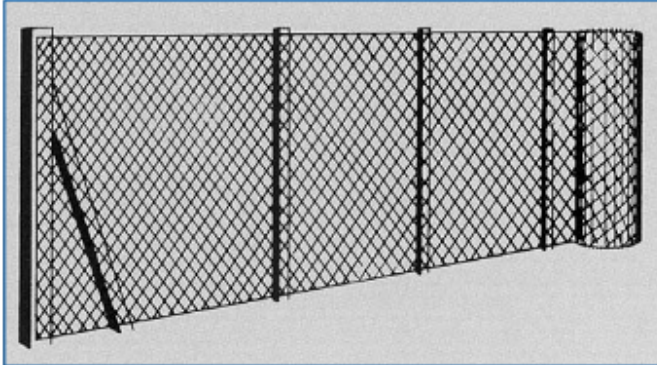


7. Stand the roll on end with the exposed edge against the post
8. Pass a stretcher bar through the last row of meshes and secure to the post as indicated previously.
9. Unroll the chain link fencing along the line of the fence pulling the mesh as tight as possible as one moves along. Hold the fence to the line wire using temporary tying wires or string at intervals. Fasten the mesh to each straining post in turn. Tension should be maintained during this operation.

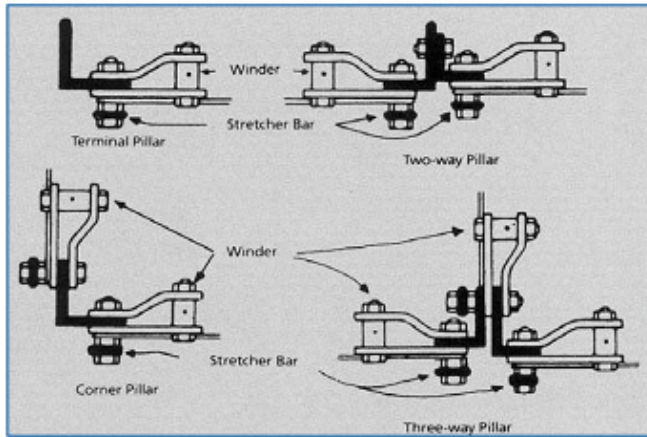


ERECTION OF CHAIN LINK FENCING

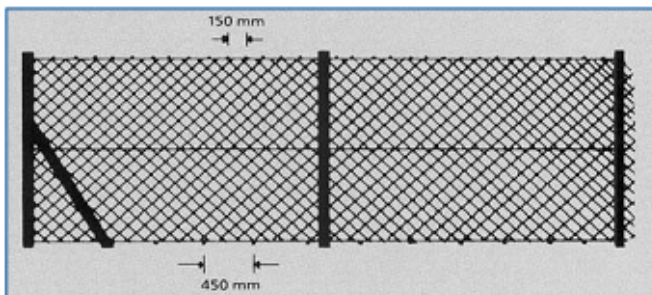
Line wires can be interwoven into chain link at the top to provide extra support.



10. At each change of direction of the fence, sever the roll by untwisting a spiral slightly short of the post, inserting a stretcher bar, pulling tight and bolting to the post.



11. To complete the fence, it is then only necessary to attach it to the line wires by tying wire. A spacing of 150mm (6in) is recommended for top wires and 450mm (1ft 6in) for middle and bottom wires.



STRAINING POSTS

Straining posts are required at each end of the fence, at each change of direction or when there is a large variation in ground level.

Straining posts should be positioned as follows: (a) As terminal posts at the end of fencing runs (b) As corner posts which are approximately at right angles. (c) As external corner posts for corners of 90° on the inside of the fencing and as internal corner posts of 270° on the inside of the fencing

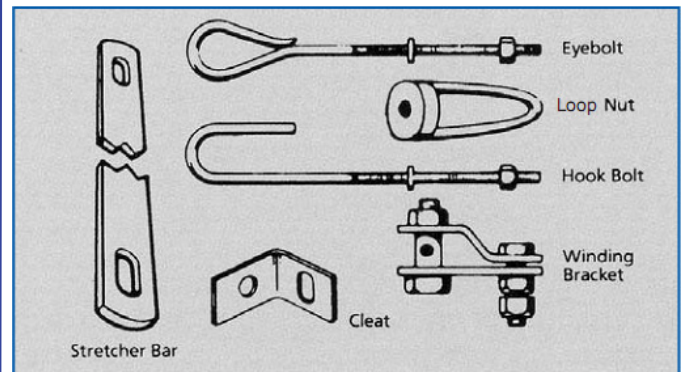
(d) As intermediate straining posts, not exceeding 75m (81 yds) apart, and at all deviations in the line of fencing i.e at obtuse angles.

It is important to select the right type of post for the job as the effectiveness of any fence depends on the correct support. A wide choice of posts is available, including angle iron, wood, concrete, tube and pylon.

FITTINGS FOR STRAINING

The illustrations show the main components used in straining chain link fencing.

(a) Eyebolt - for use with wood or concrete posts. (b) Ring Nut - for use with eyebolts for intermediate two-way strainers. (c) Hook Bolt - for use with concrete intermediate standards in place of hairpin staples. (d) Winding Brackets - for straining line wires. (e) Cleat - for fixing stretcher bars. (f) Stretcher bars.



Height of fencing:

900mm, 1.20m, 1.40m, 1.80m

Depth of posts in ground:

600mm, 600mm, 600mm, 750mm

Overall length of posts:

1.50m, 1.80m, 2.00m, 2.55m

JOINING A ROLL OF FENCING

Remove a spiral from end of the roll to be joined on. This is easily achieved by unknuckling the end of the first spiral and winding the spiral upwards with an anti-clockwise screwing motion until fully removed. Bring together the end of one roll with the beginning of the next roll and unite them by twisting the loose spiral clockwise through each link in screw form. When the spare spiral has been screwed into position, the knuckles should be closed at the top and bottom of the fence to complete the join.



SPLITTING A ROLL OF FENCING

First, unknuckle the top and bottom ends of the spiral where split is required. Remove this spiral from the roll completely by winding in an anti-clockwise direction.

NOTE - It is important that the end of the roll is joined to the beginning of the next.