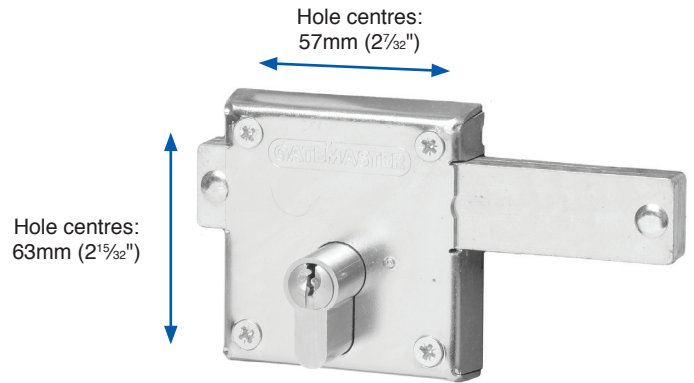


- Featuring a strong deadbolt which moves 53mm (2<sup>1</sup>/<sub>8</sub>" ) with one turn of the key
- Keyed both sides and manufactured from stainless steel. Two sizes of euro cylinder and keyed alike available
- Weld-in lock plates available separately

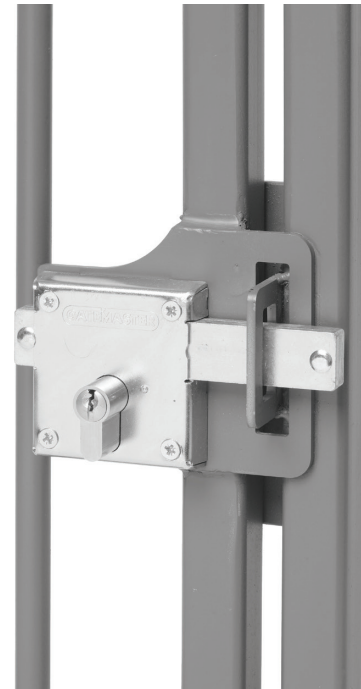


## PRODUCT DETAILS

Product code:	Description:
<b>05S02GLB</b>	<b>Standard Euro Cylinder 24mm Gate Locking Bolt</b>
<b>05S02GLBKA</b>	<b>Standard Euro Cylinder 24mm Gate Locking Bolt, Keyed Alike</b>
<b>05GLB02</b>	<b>Extra Long Euro Cylinder 60mm Gate Locking Bolt</b>
<b>05GLB02KA</b>	<b>Extra Long Euro Cylinder 60mm Gate Locking Bolt, Keyed Alike</b>

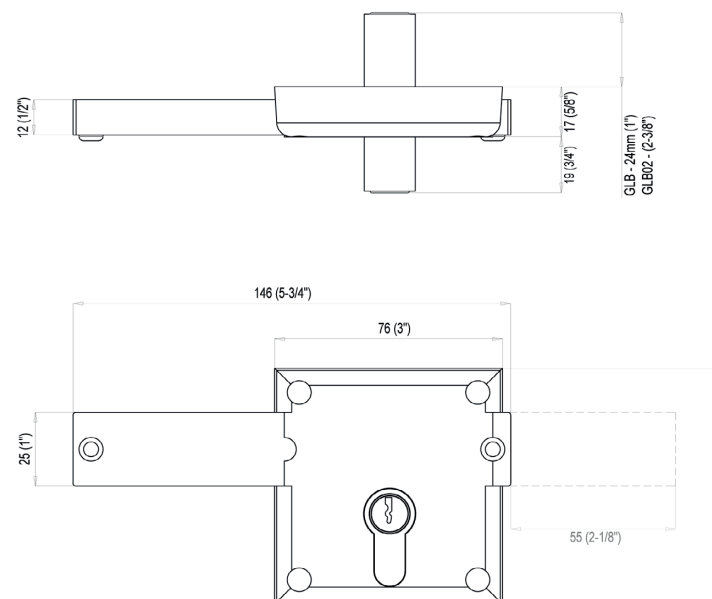
Material: Stainless steel.  
Keyed alike option available.  
Two euro cylinder sizes to choose from.

Suitable for left and right handed gates.



## INSTALLATION

1. Mark the fixing holes for the lock on the inside of the gate, at a comfortable and accessible height.
2. Fix the lock in position with screws of your choice, ensuring that the lock is straight and level.
3. Line the keep plate up with the bolt in the locked position and screw the keep to the post or frame.
4. Test to ensure the lock is running smoothly.
5. **MAINTENANCE** Lubricate with oil periodically.



Whilst every effort has been made to ensure the accuracy of the information supplied. F.H. Brundle cannot be held responsible for any errors or omissions. This product must only be employed for its original intended use. Any other use is wrong and potentially dangerous. Installation must be carried out in full compliance with current regulations. F.H. Brundle cannot be held liable for any damages resulting from wrongful, erroneous or negligent use.